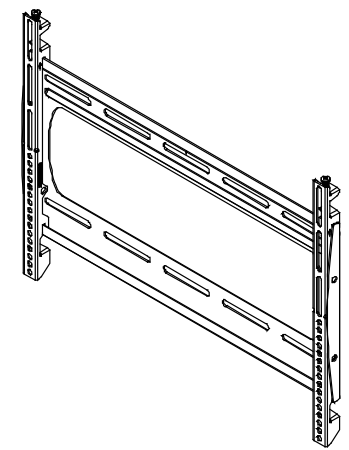
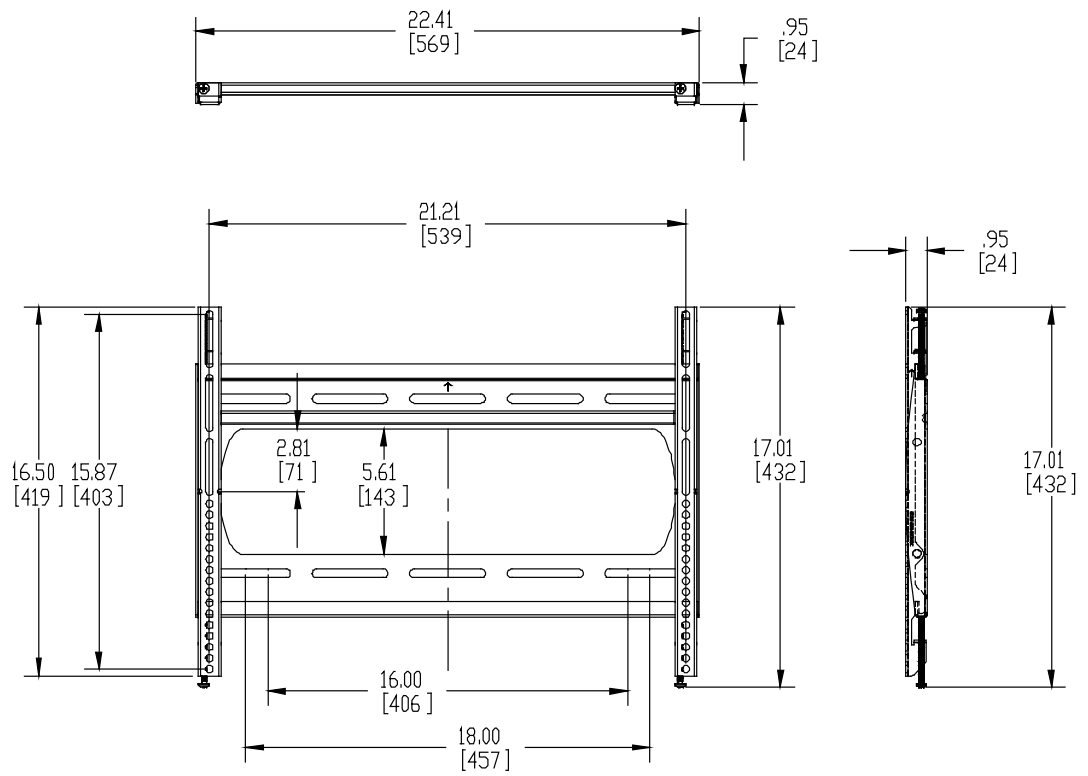


THE INFORMATION CONTAINED IN THIS DRAWING IS THE SOLE PROPERTY OF PREMIER MOUNT DIVISION OF <PMPI> ANY REPRODUCTION IN PART OR WHOLE WITHOUT THE WRITTEN PERMISSION OF PREMIER MOUNT DIVISION OF <PMPI> IS PROHIBITED.

REVISIONS			
REV.	DESCRIPTION	DATE	APPROVED



Architectural Specifications  
 The wall mount will be a Premier Mounts P2642F, or equivalent, and can be used to mount flat panel displays from a variety of wall structures. It will mount to wood studs, concrete or steel studs. It will be made of cold-rolled steel and will support up to 130lbs. It will feature built-in lateral shift with locking capability. The flat panel will be supported using dedicated gripplates and washers. Assembly and installation will be performed according to the instructions provided by the manufacturer.

Surface Types - Wood, Concrete or Steel Studs  
 Weight Capacity - 130lbs.  
 Dimensions - 22.41' (W) x 11.28' (H) x .95' (D); Brackets - 16.50' (H)  
 Attachment - Lag Bolts, Concrete Anchors or Steel Stud Anchors